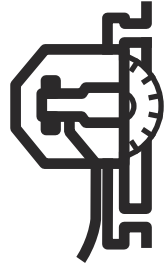




H Husqvarna®



WS 482 HF

Contents

Introduction.....	2	Troubleshooting.....	20
Safety.....	4	Transportation, storage and disposal.....	20
Assembly.....	8	Technical data.....	20
Operation.....	13	EC Declaration of Conformity.....	23
Maintenance.....	19		

Introduction

Product description

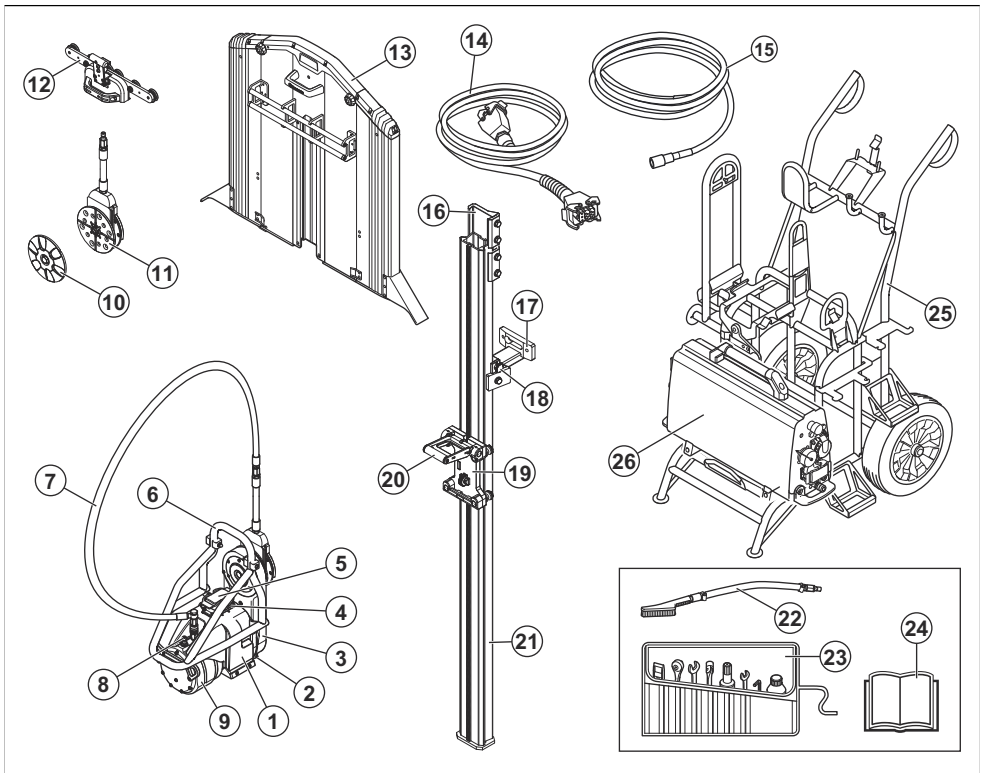
Husqvarna WS 482 HF is a wall saw with an electric motor.

Note: National regulations can set limit to the operation of the product.

Intended use

This product is intended for sawing in hard materials such as reinforced concrete, stone and brick.

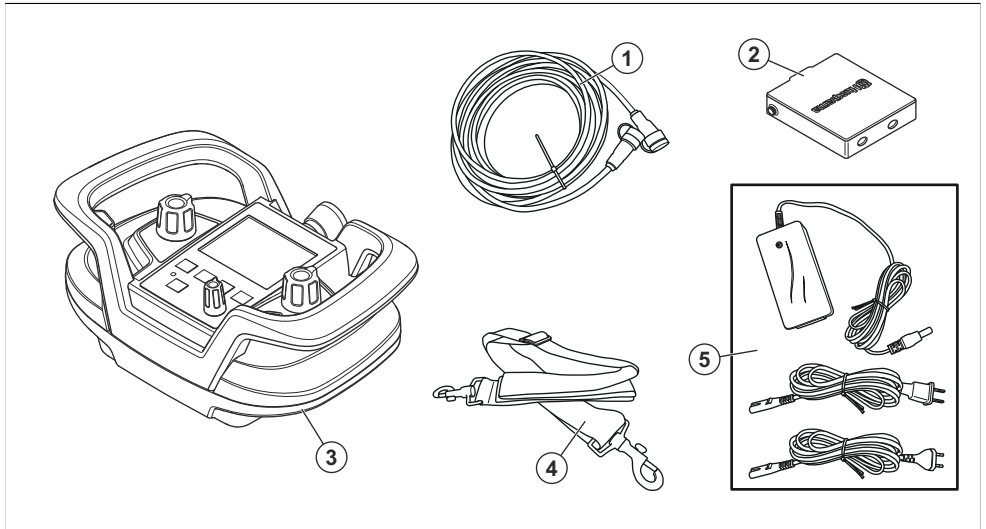
Product overview



1. Saw unit
2. Gear knob
3. Cutting arm
4. Cable connection

5. Protective cover
6. Handle/blade guard assembly
7. Water hose
8. Hose connection, water in
9. Motor
10. Outer blade flange
11. Blade flange hub
12. Blade guard guide
13. Blade guard
14. Power cord
15. Water hose
16. Connector
17. Wall support
18. Track holder
19. Saw carriage
20. Lock handle
21. Track
22. Brush
23. Tool kit
24. Operator's manual
25. Transport trolley (accessory)
26. Power pack (accessory)

Product overview, remote control



1. CAN bus cable
2. Remote control battery (2 batteries)
3. Remote control
4. Adjustable shoulder strap
5. Battery charger



Use approved protective helmet, hearing protection, eye protection and respiratory protection.



Keep your hands and feet away from the blade.



Inspection and/or maintenance must be done with the motor stopped and the plug disconnected.



The product or package of the product is not domestic waste. Recycle it at an approved disposal location for electrical and electronic equipment.

Symbols on the product



WARNING: This product can be dangerous and cause serious injury or death to the operator or others. Be careful and use the product correctly.



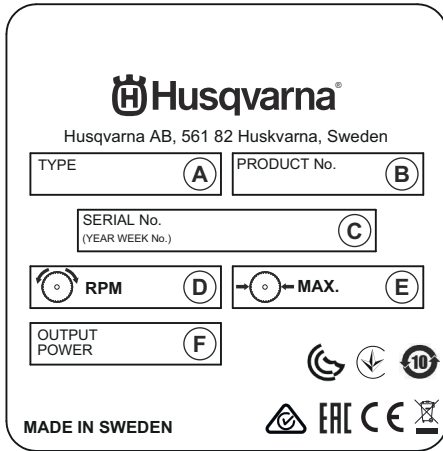
Read the manual carefully and make sure that you understand the instructions before you use the product.



This product is in compliance with applicable EC directives.

Note: Other symbols/decals on the product refer to special certification requirements for some markets.

Type plate



- A: Type/model
- B: Product No.
- C: Serial No. with manufacturing date (YYYY, WW, XXXX): Year, Week, Sequence No.
- D: Maximum speed, RPM
- E: Maximum blade size, mm
- F: Power output, kW

Product liability

As referred to in the product liability laws, we are not liable for damages that our product causes if:

- the product is incorrectly repaired.
- the product is repaired with parts that are not from the manufacturer or not approved by the manufacturer.
- the product has an accessory that is not from the manufacturer or not approved by the manufacturer.
- the product is not repaired at an approved service center or by an approved authority.

Safety

Safety definitions

Warnings, cautions and notes are used to point out specially important parts of the manual.



WARNING: Used if there is a risk of injury or death for the operator or bystanders if the instructions in the manual are not obeyed.



CAUTION: Used if there is a risk of damage to the product, other materials or the adjacent area if the instructions in the manual are not obeyed.

Note: Used to give more information that is necessary in a given situation.

General power tool safety warnings



WARNING: Read all safety warnings, instructions, illustrations and specifications provided with this power tool. Failure to

follow all instructions listed below may result in electric shock, fire and/or serious injury.

- **Save all warnings and instructions for future reference.** The term "power tool" in the warnings refers to your mains-operated (corded) power tool or battery-operated (cordless) power tool.

Work area safety

- **Keep work area clean and well lit.** Cluttered or dark areas invite accidents.
- **Do not operate power tools in explosive atmospheres, such as in the presence of flammable liquids, gases or dust.** Power tools create sparks which may ignite the dust or fumes.
- **Keep children and bystanders away while operating a power tool.** Distractions can cause you to lose control.

Electrical safety

- **Power tool plugs must match the outlet. Never modify the plug in any way. Do not use any adapter plugs with earthed (grounded) power tools.** Unmodified plugs and matching outlets will reduce risk of electric shock.

- **Avoid body contact with earthed or grounded surfaces, such as pipes, radiators, ranges and refrigerators.** There is an increased risk of electric shock if your body is earthed or grounded.
- **Do not expose power tools to rain or wet conditions.** Water entering a power tool will increase the risk of electric shock.
- **Do not abuse the cord. Never use the cord for carrying, pulling or unplugging the power tool. Keep cord away from heat, oil, sharp edges or moving parts.** Damaged or entangled cords increase the risk of electric shock.
- **When operating a power tool outdoors, use an extension cord suitable for outdoor use.** Use of a cord suitable for outdoor use reduces the risk of electric shock.
- **If operating a power tool in a damp location is unavoidable, use a residual current device (RCD) protected supply.** Use of a RCD reduces the risk of electric shock.

Personal safety

- **Stay alert, watch what you are doing and use common sense when operating a power tool. Do not use a power tool while you are tired or under the influence of drugs, alcohol or medication.** A moment of inattention while operating power tools may result in serious personal injury.
- **Use personal protective equipment. Always wear eye protection.** Protective equipment such as dust mask, non-skid safety shoes, hard hat or hearing protection used for appropriate conditions will reduce personal injuries.
- **Prevent unintentional starting. Ensure the switch is in the off-position before connecting to power source and/or battery pack, picking up or carrying the tool.** Carrying power tools with your finger on the switch or energising power tools that have the switch on invites accidents.
- **Remove any adjusting key or wrench before turning the power tool on.** A wrench or a key left attached to a rotating part of the power tool may result in personal injury.
- **Do not overreach. Keep proper footing and balance at all times.** This enables better control of the power tool in unexpected situations.
- **Dress properly. Do not wear loose clothing or jewellery. Keep your hair and clothing away from moving parts.** Loose clothes, jewellery or long hair can be caught in moving parts.
- **If devices are provided for the connection of dust extraction and collection facilities, ensure these are connected and properly used.** Use of dust collection can reduce dust-related hazards.
- **Do not let familiarity gained from frequent use of tools allow you to become complacent and ignore tool safety principles.** A careless action can cause severe injury within a fraction of a second.

Power tool use and care

- **Do not force the power tool. Use the correct power tool for your application.** The correct power tool will do the job better and safer at the rate for which it was designed.
- **Do not use the power tool if the switch does not turn it on and off.** Any power tool that cannot be controlled with the switch is dangerous and must be repaired.
- **Disconnect the plug from the power source and/or remove the battery pack, if detachable, from the power tool before making any adjustments, changing accessories, or storing power tools.** Such preventive safety measures reduce the risk of starting the power tool accidentally.
- **Store idle power tools out of the reach of children and do not allow persons unfamiliar with the power tool or these instructions to operate the power tool.** Power tools are dangerous in the hands of untrained users.
- **Maintain power tools and accessories. Check for misalignment or binding of moving parts, breakage of parts and any other condition that may affect the power tool's operation. If damaged, have the power tool repaired before use.** Many accidents are caused by poorly maintained power tools.
- **Keep cutting tools sharp and clean.** Properly maintained cutting tools with sharp cutting edges are less likely to bind and are easier to control.
- **Use the power tool, accessories and tool bits etc. in accordance with these instructions, taking into account the working conditions and the work to be performed.** Use of the power tool for operations different from those intended could result in a hazardous situation.
- **Keep handles and grasping surfaces dry, clean and free from oil and grease.** Slippery handles and grasping surfaces do not allow for safe handling and control of the tool in unexpected situations.

Service

- **Have your power tool serviced by a qualified repair person using only identical replacement parts.** This will ensure that the safety of the power tool is maintained.
- **Never service damaged battery packs.** Service of battery packs should only be performed by the manufacturer or authorized service providers.

Safety instructions for wall saws

- **Operate power tool by insulated grasping surfaces, when performing an operation where the cutting accessory may contact hidden wiring or its own cord.** Cutting accessory contacting a "live" wire may make exposed metal parts of the power tool "live" and could give the operator an electric shock.
- **Wear ear protectors when diamond sawing.** Exposure to noise can cause hearing loss.

- **If the diamond wheel becomes jammed, stop applying feed force and turn off the tool.** Investigate and take corrective actions to eliminate the cause of the diamond wheel jamming.
- **When sawing through the workpiece, ensure to protect persons and the work area on the other side.** The diamond wheel may protrude through the workpiece.
- **Ensure that the method of securing the track guiding system to the workpiece is capable of holding and restraining the machine during use.** If the workpiece is weak or porous, the anchor(s) may pull out causing the track guiding system to release from the workpiece.
- Never allow anyone else to use the product without first ensuring that they have read and understood the contents of the operator's manual.
- Never use the product if you are tired, if you have drunk alcohol, or if you are taking medication that could affect your vision, your judgement or your coordination.
- All operators shall be trained in the use of the product. The owner is responsible for ensuring that the operators receive training.
- Please read the operator's manual carefully and make sure you understand the instructions before using the product.
- The product can cause serious personal injury. Read the safety instructions carefully. Learn how to use the product.
- Keep in mind that the operator is responsible for accidents or hazards occurring to other people or their property.
- This product is only intended for use together with an approved power pack. Read through the manual supplied with the power pack before starting to use the product. All other use is forbidden.
- Cutting at too high revs can cause damage to the blade and lead to personal injury.
- Stop the motor and disconnect the power cord before you lift or move the product.

General safety instructions



WARNING: Read the warning instructions that follow before you use the product.

- This information is never a substitute for professional skills and experience. If you get into a situation where you feel unsafe, stop and seek expert advice. Contact your dealer, service agent or an experienced user. Do not attempt any task that you feel unsure of!
- This product is designed for and intended for sawing concrete, brick and different stone materials. All other use is improper.
- The product must be kept clean. Signs and stickers must be fully legible.
- Unauthorized modifications and/or accessories may lead to serious injury or death to the user or others. Do not modify this product or use it if it appears to have been modified by others. Never use a product, battery or battery charger that is faulty. Carry out the checks, maintenance and service instructions described in this manual. Some maintenance and service measures must be carried out by trained and qualified specialists. See instructions under the heading Maintenance. Only use original spare parts.
- All types of repairs may only be carried out by authorized repairmen. This is so that the operators are not exposed to great risks.
- Inspection and/or maintenance shall be carried out with the motor switched off and the plug disconnected.

Safety instructions for operation



WARNING: Read the warning instructions that follow before you use the product.

- The product can be a dangerous tool if used incorrectly or carelessly, which can cause serious or fatal injury to the operator or others.
- Never allow children or other persons not trained in the use of the product to use or service it.

Personal protective equipment



WARNING: Read the warning instructions that follow before you use the product.

- Always use correct personal protective equipment when you operate the product. The personal protective equipment does not erase the risk of injury. The personal protective equipment decreases the grade of injury if an accident occurs. Let your dealer help you select the right equipment.
- Use approved eye protection while you operate the product.
- Use heavy-duty slip-resistant boots with steel toe-caps.
- Use clothing that is close-fitting but does not limit your movements.
- Regularly do a check of the condition of the personal protective equipment.
- Use approved heavy duty protective gloves.
- Use rubber protective gloves to prevent skin irritation from wet concrete.
- Use an approved protective helmet.
- Always use approved hearing protection while you operate the product. Noise for a long period can cause noise-induced hearing loss.
- The product causes dust and fumes that is bad for your health. Use an approved respiratory protection.
- Make sure that you have a first aid kit near.

- Sparks can occur when you operate the product. Make sure that you have a fire extinguisher near.
- Do not use loose clothing, jewelry or other items that can get caught in moving parts. Put your hair up safely above shoulder level.

Safety devices on the product



WARNING: Read the warning instructions that follow before you use the product.

- Do not use a product with defective safety devices.
- Do a check of the safety devices regularly. If the safety devices are defective, speak to your Husqvarna service agent.

Blade guard

The blade guard keeps dust away from the operator and prevents injury if the cutting blade breaks.



WARNING: Do not use the product without a blade guard.

To do a check of the blade guard

1. Make sure that the blade guard is not damaged. Refer to *Product overview on page 2*.
2. Make sure that the blade guard is correctly attached.
3. Make sure that the blade is in the center of the blade guard and does not touch the blade guard.

Blade guard lock

The blade guard lock keeps the blade guard guide in the correct position on the blade guard.

To do a check of the blade guard lock

- Make sure that the blade guard lock mechanism on the blade guard guide operates correctly. Refer to *To adjust the lock handle on the blade guard guide on page 13*.

End stops

The end stops prevent the product to come off the rails.



WARNING: If the end stops are not attached correctly to the rail ends, the product comes off and can cause serious injury.

To do a check of the end stops

- Make sure that end stops are attached to the rail ends. Refer to *Product overview on page 2*.

Power pack

The Husqvarna power pack is used to operate the product.



WARNING: Disconnect the product from the power supply and wait a minimum of 5 minutes before you do maintenance.

To do a check of the power pack

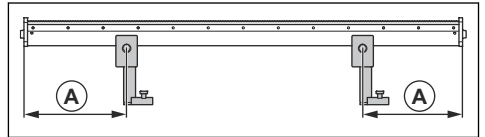
- Do a check of the safety equipment and make sure that it is not damaged. Refer to the Husqvarna power pack manual.

Wall supports

The wall supports attach the rails in the correct position on the wall.

To do a check of the wall supports

1. Put the wall supports at approximately $\frac{1}{4}$ of the length of the rail (A).



2. Use a minimum of 2 wall supports during operation. If more rails are put together, 1 wall support is necessary for each meter of extended rail section.

Rail connectors

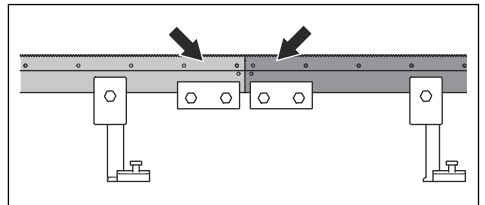
The rail connectors connect the rail sections.



CAUTION: Make sure that the rail connectors are compatible with the product.

To do a check of the rail connectors

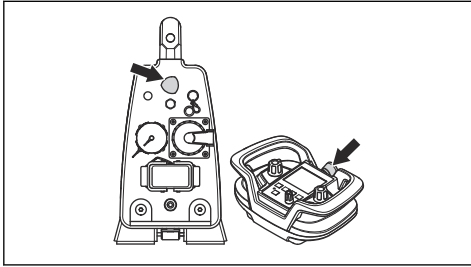
- Make sure that the rail connectors are assembled correctly. The rails must be linear and the ends must be flush in the center of the connector.



Machine stop buttons

The machine stop buttons on the power pack and on the remote control decrease the speed of the connected

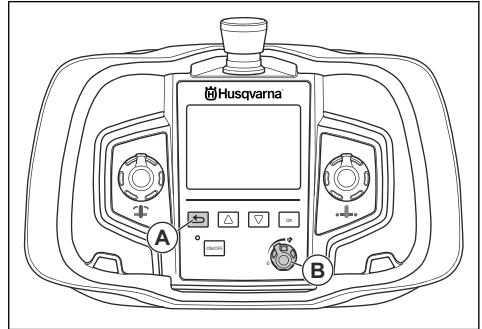
power tool. The machine stop buttons also disconnects the power tool from the power supply.



To do a check of the machine stop buttons

1. Turn the machine stop button on the power pack clockwise to make sure that is released.
2. Push the ON/OFF button on the remote control.

3. Push and hold the "RETURN" button (A) and turn the dial (B) clockwise to rotate the blade or wire.



4. Push the machine stop button on the power pack to stop the blade or wire.
5. Make sure that the power indicator on the product goes out.
6. Do the same procedure to do a check of the machine stop button on the remote control.

Assembly

Introduction



WARNING: Read and understand the safety chapter before you assemble the product.

To do a check of the work area before operation

1. Examine the work area to make sure that safe operation is possible. Look out for persons, objects and situations that can prevent safe operation of the product. Keep a safety distance of minimum 4 m.
2. Make sure that there are no electric cables, gas or water pipes in the work area.
3. Make sure that the cut out piece can be removed. Divide it into smaller sections to make it easier to remove.
4. Keep the work area clean and bright.
5. Make sure that the work area has electric and water supply. Make sure that waste water can be removed.

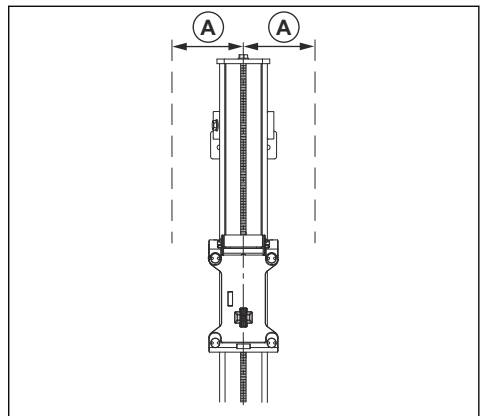
To do a function check before operation

1. Do a check of the safety devices on the product. Refer to *Safety devices on the product on page 7*.
2. Make sure that the blade and the blade guard are not damaged. Replace the blade or the blade guard if there are cracks or other damage.

3. Make sure that the product is correctly assembled and that the wall brackets, rails, blade bolt and lock wheels are tightened. Make sure that the end stops are attached on the ends of the rail.
4. The blade guard must always be assembled when the product is in operation. If the blade guard touches the ceiling, 1 of the end pieces of the blade guard can be temporarily disassembled.
5. Move the product to the start position before you start the motor.

To assemble the wall supports

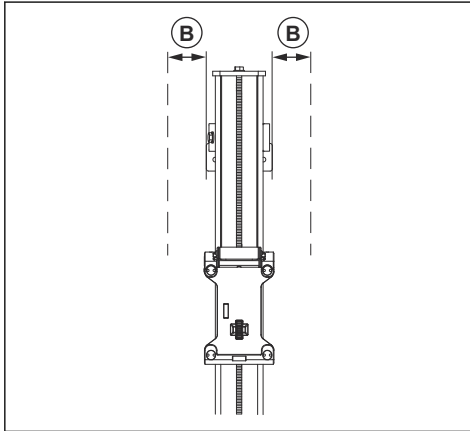
1. Do a mark of the cut line and do marks of the expander bolt holes (A) = 165 mm (6.5 in.) from the cut line.



2. Drill 15 mm (5/8 in.) holes for the M12 (½ in.) expander bolts.
3. Hang the wall supports loosely from the expander bolts. Use M6S 12 x 70 (½ in. x 2 in.) or equivalent.

To assemble the rails

1. Put the rail in the wall supports and tighten the compression washers. For vertical cuts, assemble the rail with the lock handle of the saw carriage up.
2. Make sure that the rail is correctly aligned with the tracks on the wall supports before you tighten the screws.
3. Adjust the distance between the cut line and the wall supports. The distance between the edge and the inner face of the cut must be (B) = 89 mm/3.5 in. Tighten the expander bolts.



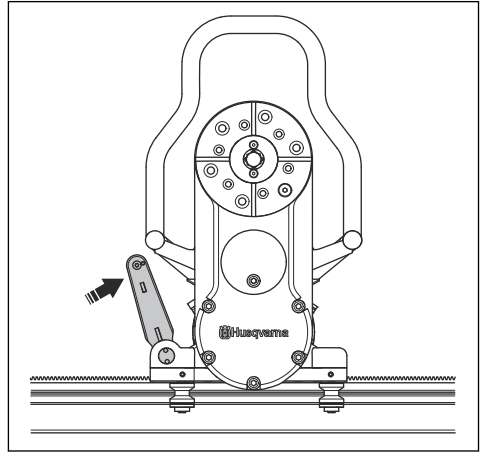
To assemble the product on the rails



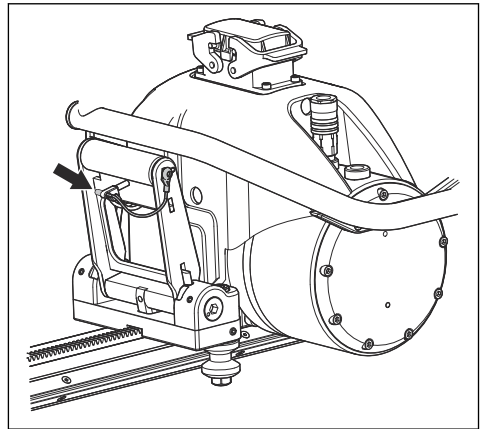
WARNING: Before you assemble the product on the rails you must assemble the product in the saw carriage.

1. Lift the product into position in the saw carriage. When the product is in position, the lock handle moves up into a middle position. In this position, the product stays in the carriage but is not sufficiently attached to start the work.

2. To attach the product, lift the lock handle against the product until the handle locks.



3. Use the pin to lock the handle.



To assemble the blade

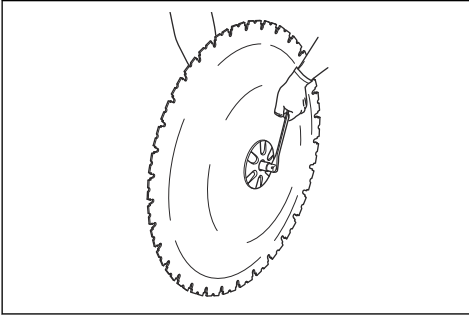


WARNING: Disconnect the product from the power supply before you start the assembly.

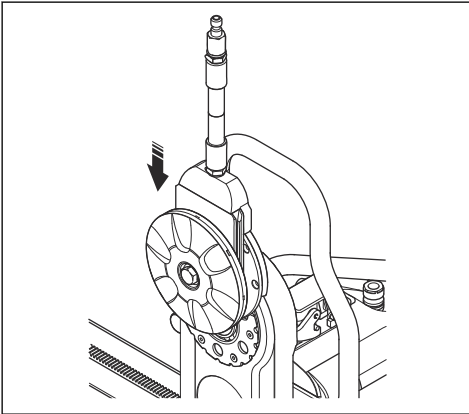
1. Remove dirt from the contact surfaces on the blade flange and blade.
2. Make sure that the blade rotates with the used part of the diamond in the rotation direction of the blade.

Note: Because the blade rotation direction can be selected, the water spray from the blade can also be selected.

3. Assemble the outer blade flange, blade and blade flange hub. Use tightening torque 70-80 Nm.

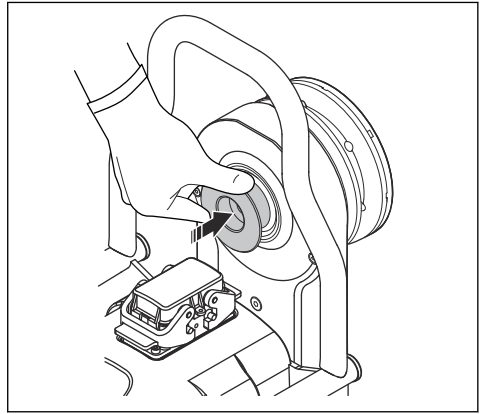


4. Hang the blade with the blade flange and blade flange hub on the cutting arm.



5. Turn the blade flange hub carefully until it moves into 1 of the tracks in the pivot arm. Attach the blade flange hub with the bolt.

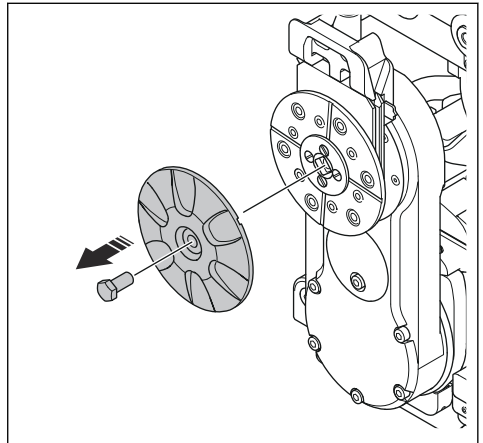
6. Push the blade shaft into the cutting arm at the same time as you rotate the blade carefully. Tighten it with the supplied 18-spanner. Use tightening torque 70-80 Nm.



WARNING: Make sure that the blade is correctly attached before you start the product.

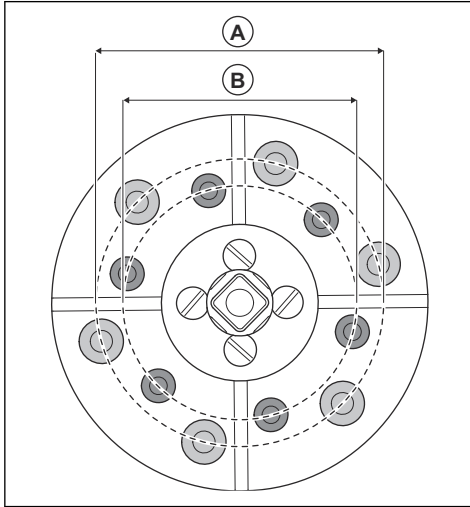
To assemble the blade for flush cutting

1. Disconnect the product from the power supply before you start the assembly.
2. Make sure that the saw unit is not assembled on the rails. If the product has a transport trolley, put the saw unit on the transport trolley.
3. Remove the blade bolt and the outer blade flange.



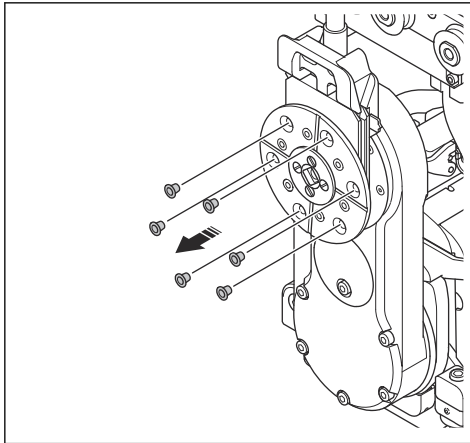
4. Remove dirt from the contact surfaces on the blade flange hub.
5. Do a check of the specification of the flush cutting blade.

6. Examine which of the holes on the blade flange hub that is to be used.

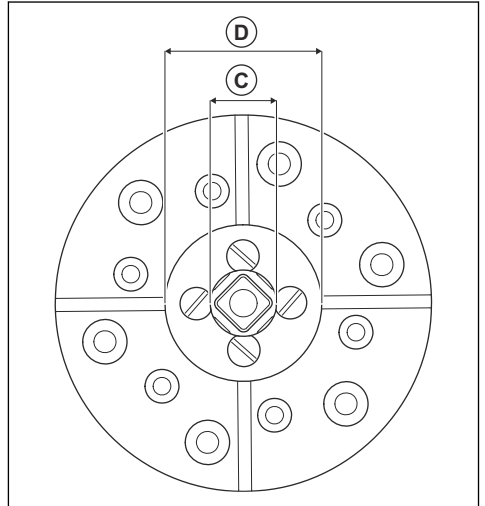


A	M10	110 mm
B	M8	89 mm

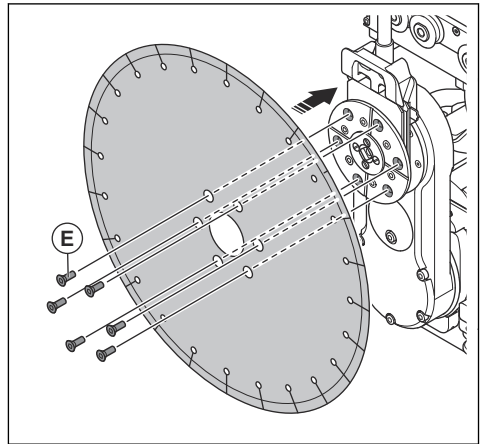
7. Remove the 6 plugs from the M8 or M10 screw threads on the blade flange hub.



8. If the flush cutting blade with 25.4 mm / 1 in. center holes (C) is used, remove the 60 mm / 2.35 in. spacer (D).



9. Assemble the flush cutting blade on the blade flange hub.



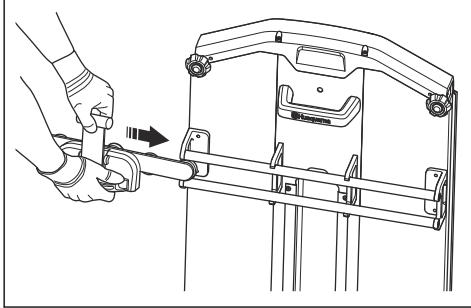
10. Install the 6 flush cutting screws M8 or M10 (E). Use tightening torque 30 Nm.
11. Assemble the product on the rails. Refer to *To assemble the product on the rails on page 9*.
12. Make sure that the blade is correctly attached before you start the product.
13. Install the flush cutting guard.
14. Connect the water hose from the outlet on the saw motor to the inlet on the blade flange hub.

To attach the blade guard

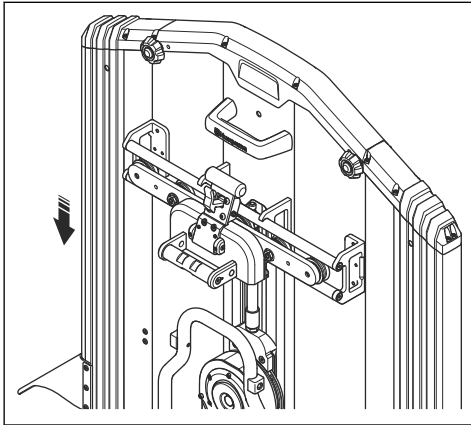


WARNING: Disconnect the product from the power supply before you start the assembly.

1. Put the blade guard guide between the rods on the blade guard.

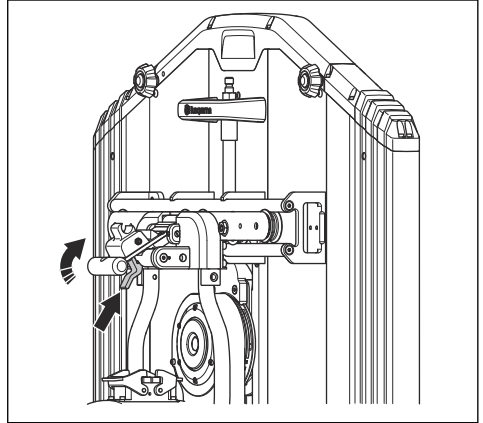


2. Lock the plastic heel on the handle to the top rod on the blade guard.
3. Make sure that the cutting arm is vertical. Lift the blade guard above the blade and hang the guard in the blade guard holder on the product. Make sure the runners on the blade guard are installed in the slots on the water unit.



4. Pull the handle out of the blade guard and down against the saw unit. The fastener locks the handle.

5. To remove the blade guard, release the fastener and pull the handle up and against the blade guard. Lock the plastic heel on the top rod on the blade guard.



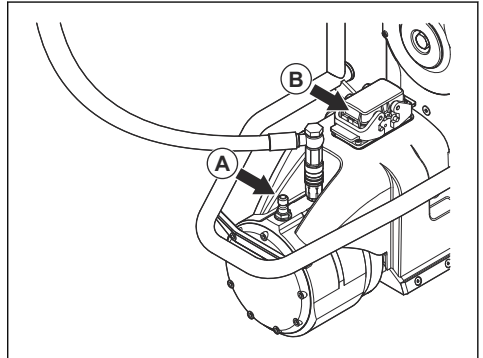
6. Connect the water hose from the outlet on the saw motor to the inlet on the blade flange hub.

To connect the power pack



CAUTION: Only use the product with an approved Husqvarna power pack.

1. Connect the water hose from the power pack to the water inlet on the saw unit (A).
2. Connect the power cord from the power pack to the saw unit (B).



3. Start the power pack and start the remote control.
4. Make sure that the remote control is connected to the power pack through radio transmission. Refer to the operator's manual for the Husqvarna power pack for information about the remote control.

To disassemble the product

If the product has a transport trolley, put all disassembled parts on the transport trolley.

1. Disconnect the power cord between the saw unit and the power pack. Assemble the lids on the plug connectors.
2. Disconnect the water hoses from the saw unit.
3. Disassemble the blade guard.
4. Remove the blade guard guide.
5. Disassemble the blade. Disassemble the outer blade flange, the blade and the blade bolt.
6. Push down the lock buttons and fold out the lock handles to release the saw unit from the rail.
7. Release the carriage bolts of the clamp washer on the wall supports and lift the rail off the supports. Release 1 of the eccentric bolts in the middle of the rail to disconnect the rails. Remove the rails.
8. Disassemble the wall supports.

Operation

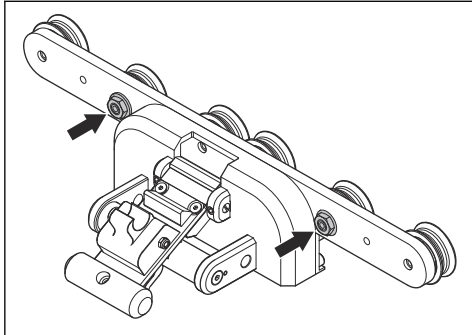
Introduction



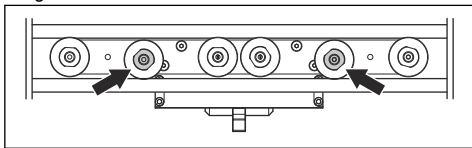
WARNING: Read and understand the safety chapter before you use the product.

To adjust the blade guard guide

1. Loosen the nuts on the 2 adjustable guide wheels.



2. Attach the blade guard guide to the blade guard.
3. Turn the camshafts with a 22 mm wrench until the guide wheels touch the rail.

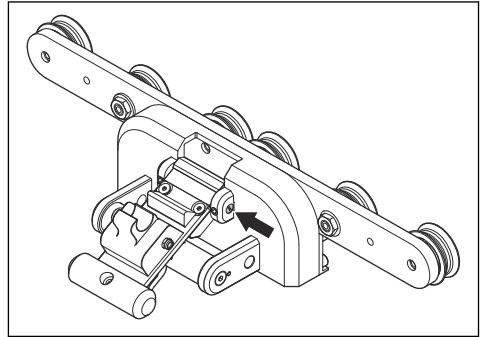


4. Hold the camshaft in position with a 22 mm wrench and tighten the nut with a 16 mm wrench.
5. Make sure that the wheels turn easily and that there is no play in the blade guard guide.

To adjust the lock handle on the blade guard guide

1. Attach the blade guard guide to the saw unit.
2. Loosen the 2 stop screws with a 3 mm hex key.

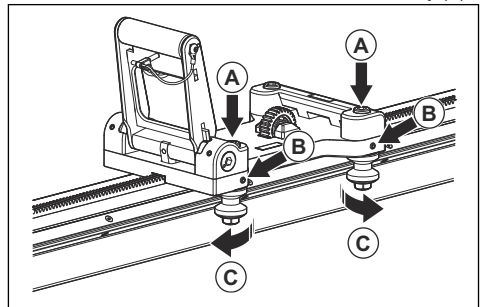
3. Turn the camshaft with a screwdriver until the lock handle tightens around the blade guard bracket.



4. Tighten the 2 stop screws with a 3 mm hex key.
5. Remove the 4 screws that hold the snap lock in position with a 4 mm hex key.
6. Adjust the snap lock. The snap lock must tighten around the top rail.
7. Tighten the 4 screws that hold the snap lock in position with a 4 mm hex key.

To adjust the guide wheels

1. Loosen the 2 M10 screws with an 8 mm hex key (A).

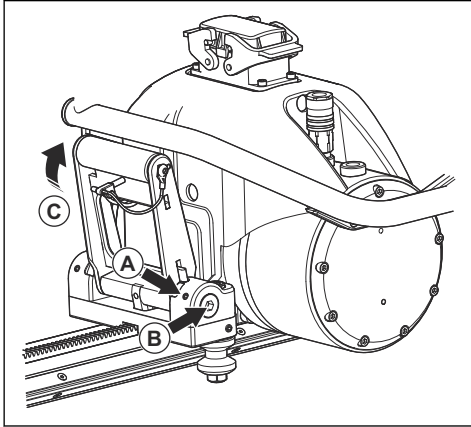


2. Loosen the 2 stop screws that lock the 2 guide wheels with a 3 mm hex key (B).
3. Turn the shafts carefully with a 16 mm wrench until the guide wheels touch the rail (C).

4. Hold the 16 mm wrench in position and tighten the 2 stop screws with a 3 mm hex key (B).
5. Push down the lock device and pull the saw carriage in the 2 directions by hand. Make sure that the saw carriage moves easily and that all 4 guide wheel rotate.
6. Tighten the 2 M10 screws with a 8 mm hex key (A).

To adjust the saw carriage

1. Loosen the 2 stop screws with a 3 mm hex key (A).



2. Turn the 2 sleeves with a 8 mm hex key until the shaft is tight and parallel to the saw unit (B).
3. Tighten the 2 stop screws with a 3 mm hex key (A).
4. Close the lock handle and make sure that the spring-loaded lock stays in locked position (C).
5. Use the pin to lock the handle.

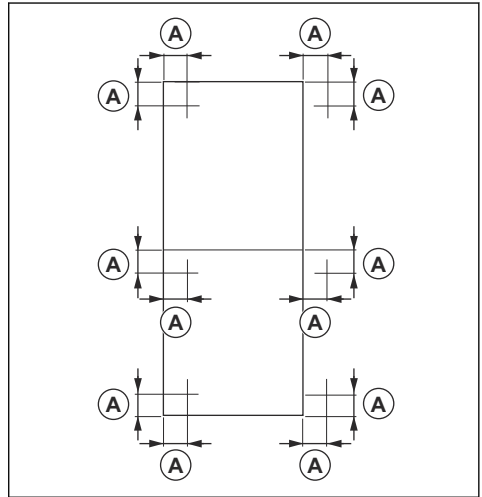
To cut concrete blocks



WARNING: Concrete blocks are very heavy and can cause serious injury. Make sure that the concrete block to be cut is attached safely before operation.

1. Examine the dimensions of the concrete block to be cut and make sure that it is safe to lift and remove.
2. Divide a large concrete block into smaller parts if it is necessary. It is not necessary to move the rail or the wall supports. You can cut on the 2 sides of the rail.

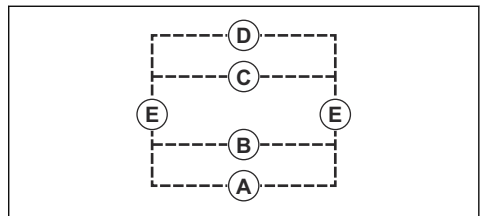
3. Put the holes for the wall supports approximately 165 mm/6.5 in (A) from the sawing groove. Use expander bolts.



WARNING: Do not attach the wall supports to the concrete block that is to be cut.

Note: In the corners, the same holes can be used for vertical and horizontal cuts.

4. Cut the concrete block in the sequence that follows. The illustration shows the work procedure when you divide a concrete block into 3 sections.



- a) Do the horizontal cuts first. Start from the bottom (A), (B), (C), (D).
 - b) Do the 2 vertical cuts (E).
5. Install wedge anchors after each cut. Install 2 wedge anchors on the sawing side and 1 wedge anchor on the other side of the concrete block.
 6. When you make the last cut, attach the rail on a stable wall. Use the included wedges.

Blade drive modes

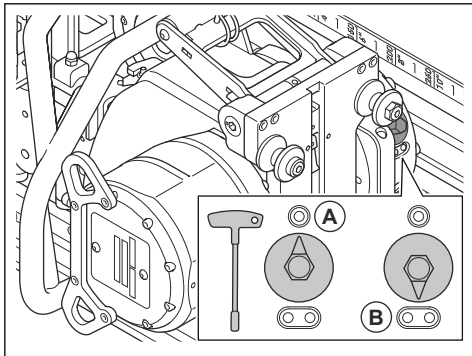
There are 2 blade drive modes for the product. The blade drive modes are selected in the main menu.

Drive mode "Blade STD" is a semi-automatic drive mode and is the best alternative for most wall sawing operations. The drive mode makes it easy for the operator to automatically control and adjust the longitudinal movement speed to keep the rotation speed for the selected blade. It also makes sure that the product is operated in optimal conditions with less load on the system and optimal pressure on the diamond tool. It is recommended that the longitudinal movement speed is turned to maximum position for optimal performance.

Drive mode "BLADE MAN" is used for wall sawing in hard and heavy reinforced concrete. The drive mode gives the operator full control of the sawing operations. The operator manually adjusts the controls on the remote control for a smoother operation performance. The drive mode makes it possible for the operator to keep the segments sharp and decrease the risk that the diamond blade gets polished. The longitudinal movement speed must be adjusted manually for optimal performance. You get a higher and more smooth operation performance with correct adjustments of the longitudinal movement speed and the blade rotation speed. "BLADE MAN" lowers the risk of polished blades when you select 16 A or 25 A fuse.

To select gear

1. Turn the gear knob to select correct gear. Use a T-handle box wrench. On gear 1 (A) the speed range is 600-900 rpm and on gear 2 (B) the speed range is 800-1200 rpm. Refer to *Recommended blade speed on page 21*.



CAUTION: Make sure that the gear knob is in the correct position. If the knob is between gears, it can cause damage to the gearbox.

Note: It is recommended to use gear 1 for sawing operations with a blade dimension of 800 mm/32 in. or more. Refer to *Recommended blade speed on page 21*.

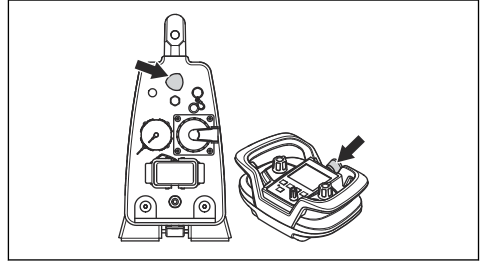
2. In the remote control, select "SET GEAR". Select the same gear that is selected on the product. Refer to *To start the product on page 15*.

To start the product

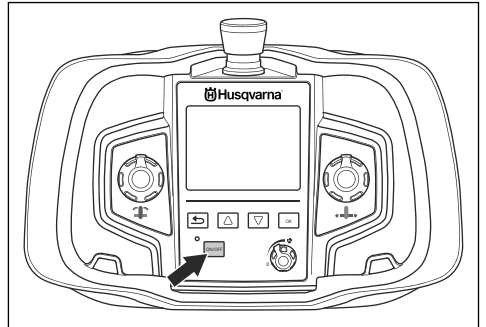


WARNING: A higher speed than the recommended speed can result in injury and damage to the product.

1. Open the water supply to the product.
2. Turn the machine stop button on the power pack unit and on the remote control clockwise to disengage.

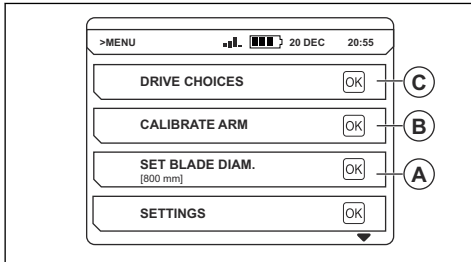


3. Push the ON/OFF button to start the remote control. This also starts the connected power tool, information is shown on the display.

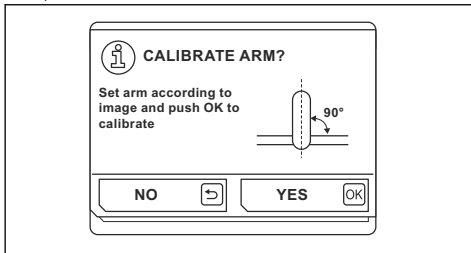


4. Make sure that the remote control is connected to the power pack through radio transmission. Refer to the operator's manual for the Husqvarna power pack for information about the remote control.

5. Do a check of the depth indicator on the display. The depth is calculated by adjustments that are done in "SET BLADE DIAMETER" (A) and the position of the arm.



6. To calibrate the arm position, do the procedure that follows.
- Put the arm in vertical position.
 - Select "CALIBRATE ARM" menu (B).
 - Select "YES" to calibrate the arm.

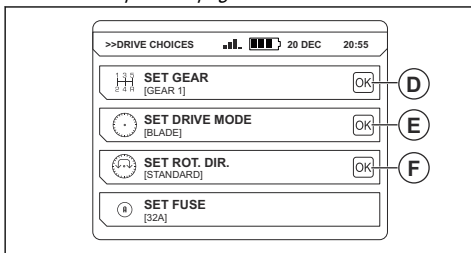


7. Select "SET BLADE DIAMETER" menu (A) and enter the correct blade diameter.

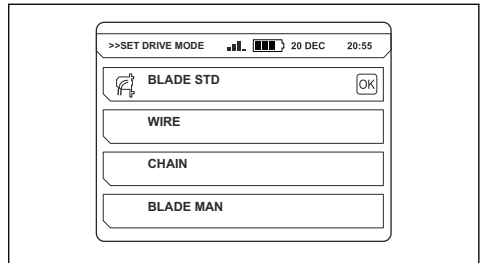


CAUTION: The depth indication on the display will only be correct if you calibrate the arm and enter correct blade diameter. This will also make the chain saw adapter operate correctly.

8. Select "DRIVE CHOICES" menu (C) and select the remote control settings:
- "SET GEAR" (D): Select gear. Make sure that same gear is selected in the remote control and on the product. Refer to *To select gear on page 15*. For more information on recommended blades and speeds. Refer to *Recommended blade speed on page 21*.



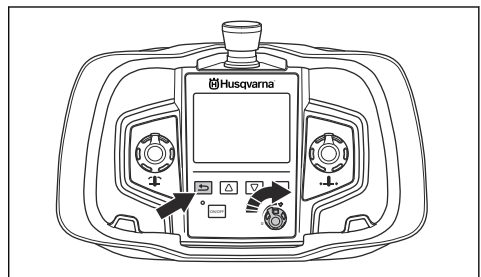
- "SET DRIVE MODE" (E): Set the mode to "BLADE STD" or "BLADE MAN". Refer to *Blade drive modes on page 14*. Refer to the operator's manual for the Husqvarna power pack for information about the modes "WIRE" and "CHAIN".



- "SET ROT. DIR" (F): Select the direction of rotation of the blade. The direction of rotation can only be changed when the blade is stationary.

Note: (S) = Standard, (R) = Rearward.

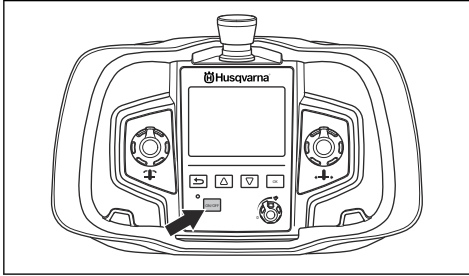
- Move the product to the start position. Make sure that the blade does not touch the material.
- Start the water supply for the cooling system. Adjust the flow with the water tap.
- To start the motor, push the arrow button and at the same time turn the blade speed dial clockwise. The motor power output is shown in the display on the remote control.



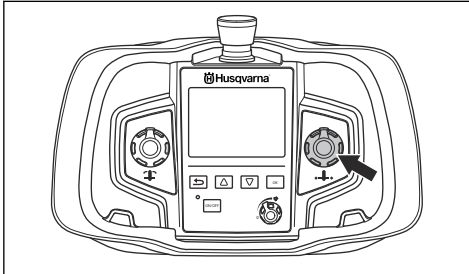
To operate the remote control

The product is controlled with the remote control. The remote control is connected to the power pack through radio transmission. To connect the remote control, refer to the Husqvarna power pack manual.

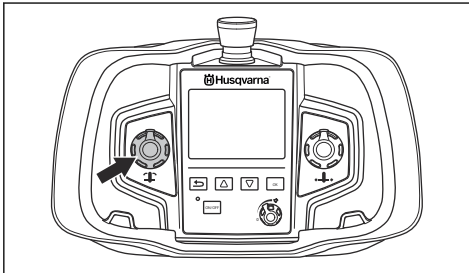
- Push the ON/OFF button to start and stop the remote control.



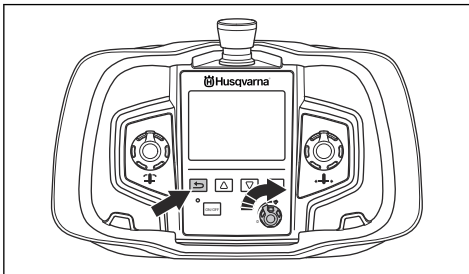
- Longitudinal movement: The dial moves the product along the rail.



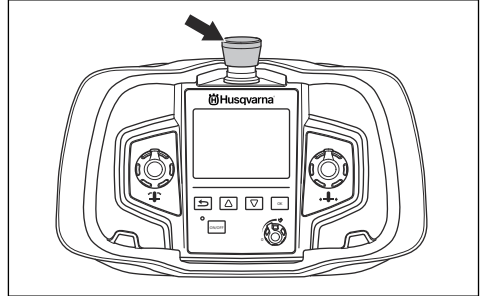
- Arm movement: The dial moves the pivot arm to adjust the cutting depth.



- To rotate the blade and to control the speed of the product: Push and hold the return button while you turn the dial clockwise to increase the rotation speed of the blade.



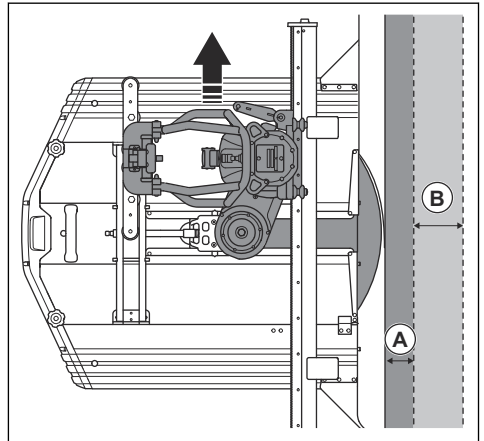
- To stop the product: Turn the dial that controls the rotation speed of the blade counterclockwise to its 0 position.
- If an emergency occurs, stop the product with the stop button.



- Refer to the Husqvarna power pack manual for other settings and functions of the remote control.

To operate the product

1. Start the product. Refer to *To start the product on page 15*.
2. Control the product with the remote control. Refer to *To operate the remote control on page 16*.
3. Do a guide cut to a depth of 3-7 cm/1.2-2.8 in (A). The material and available fuses have an effect on the cutting depth. If it is possible, do not cut into iron. Do the guide cut with the arm in trailing position.

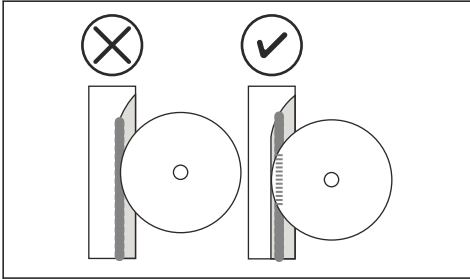


CAUTION: Do not use full power for the guide cut.

4. Increase the depth for the subsequent cuts (B). Put the saw near a mounting bracket and push the blade into the material. The depth of the subsequent cuts are between 7-15 cm/2.8-5.9 in. The hardness of the material has an effect on the cutting depth.

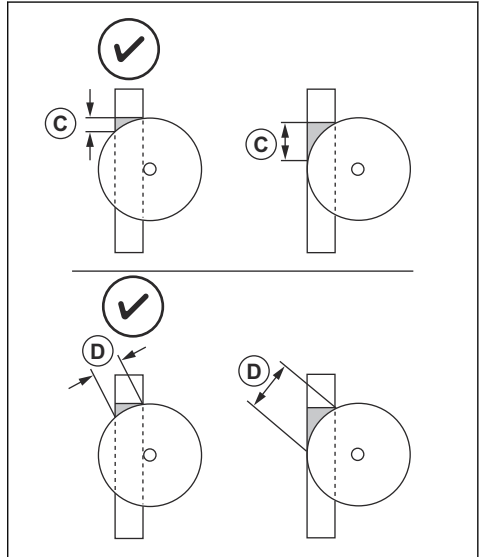
Note: You can change the blade and operate the product in the same cut. Make sure that the thickness of the new blade aligns with the groove width.

- a) If the product runs on a lower fuse than 32A, the power output is decreased. The cutting depth must then be decreased to get optimal performance for the selected fuse.
- b) When you cut rebar from end to end, cut the rebar as the illustration shows to keep the blade sharp. If the rebar does not follow the sawing groove from start to end, start the cut from the other end.



Note: A lower rotation speed of the blade decreases the risk of polished blade in hard materials.

- c) Use the maximum cutting depth of the blade if the wall is thinner than the maximum depth of the blade. The cutting surface is decreased and the pressure of the blade segments is increased. Also do this when overcutting can not be done, because the wedge remaining after sawing becomes smaller. (C) = Overcutting distance, (D) = Cutting surface.



- d) When overcutting cannot be done, use the chain adapter WSC40. Speak to your local Husqvarna dealer or find information about the chain adapter on Husqvarna web site.
5. If mode "BLADE STD" is selected, do the procedure that follows. Refer to *Blade drive modes on page 14*.
 - a) Turn the dial for longitudinal movement speed to maximum.
 - b) Adjust the cutting depth for optimal longitudinal movement speed and performance.
 6. If mode "BLADE MAN" is selected, do the procedure that follows. Refer to *Blade drive modes on page 14*.
 - a) Adjust the longitudinal movement speed for optimal performance. Decrease the longitudinal movement speed when you operate in hard materials and do cuts to a depth of 7-15 cm/ 2.8-5.9 in.
 7. Remove the blade from the sawing groove after each cut.



CAUTION: Do not let the blade rotate without pressure in the sawing groove. This causes the blade to become blunt.

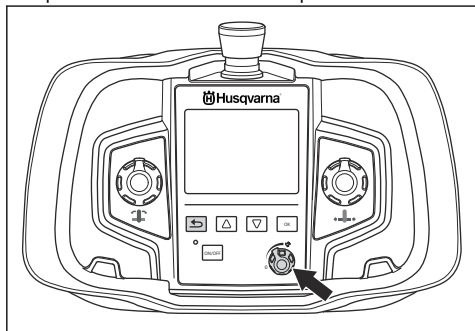
8. Stop the motor and the water flow.

To stop the product

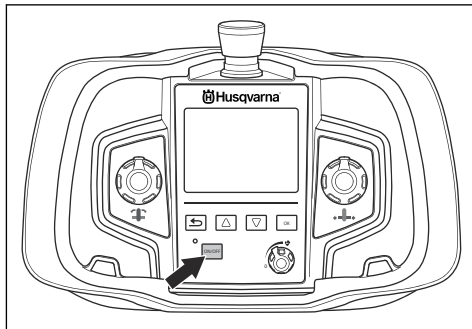


WARNING: Always close the water supply to the product when it is not connected to the power supply.

1. To stop the blade, turn the dial that controls the speed counterclockwise to its 0 position.



2. Close the water supply to the product. If the water coolant is set to "AUTO", the water supply will stop automatically.
3. Stop the remote control unit, push the "ON/OFF" button.



4. Push the emergency stop button to stop the product.

Maintenance

Introduction



WARNING: Read and understand the safety chapter before you do maintenance on the product.

To do daily maintenance on the product



WARNING: Disconnect the product from the power supply before you do maintenance.

- Make sure that all couplings, connections, hoses and cables are not damaged.
- Make sure that all couplings, connections, hoses and cables are clean. Use a brush or a cloth. Clean and lubricate the contact pins. Lubricate the sleeves of the water couplings.
- Clean and lubricate the moving parts of the product, such as the lock handles and the spring mechanism of the blade guard guide.
- Make sure that the blade and blade guard are not damaged. Replace the blade guard and/or blade if it is damaged or worn.
- Make sure that the wheels of the blade guard guide turn without resistance. Make sure that the blade guard guide is adjusted correctly. Refer to *To adjust the blade guard guide on page 13*.
- Make sure that the blade guard guide is correctly aligned with the blade guard and the product. Refer to *To adjust the lock handle on the blade guard guide on page 13*.

- Look for wear or damage of the blade bolts. Replace the blade bolts if it is necessary.
- Make sure that the wheels on the saw carriage are correctly adjusted against the track. Refer to *To adjust the guide wheels on page 13*.
- Make sure that the lock handle on the saw carriage is correctly adjusted to the saw unit. Refer to *To adjust the saw carriage on page 14*.

To clean the product



CAUTION: Do not use a high-pressure washer to clean the product.

1. Disassemble the product. Refer to *To disassemble the product on page 12*.
2. Clean all equipment. Use the water hose, a brush and a cloth.
3. Dry all movable parts. Lubricate all parts with oil spray to prevent corrosion.

To do servicing on the product

- Let an approved Husqvarna dealer do the servicing. Use only original spare parts to keep the safety of the product.
- After 100 hours of operation, the message "Time for servicing" shows on the display. Let an approved Husqvarna dealer do the servicing.
- If the product has not operated 100 hours after 1 year, let an approved Husqvarna dealer do a check of the product.

Troubleshooting

Symptom	Cause	Solution
The blade does not cut and starts to polish the diamond blades.	The cutting depth is too large.	Decrease the cutting depth.
	The blade speed is too high.	Decrease the blade speed.
	The water flow to the blade is too high.	Decrease the water flow to the blade.
	The blade is too hard.	Change the blade to a softer blade.

Transportation, storage and disposal

Transportation

- If your product has a transport trolley, use it to move the product. The handles of the transportation trolley can be used as runners when you lift it on to a truck.
- Stop the power pack and pull out the electric cable before you move the equipment.
- Remove the blade and blade guard from the product before the transportation.

Storage

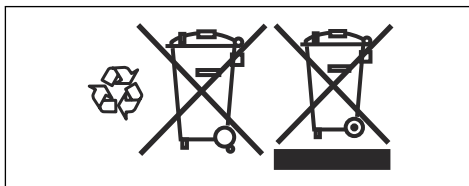
- Keep the product in a locked area to prevent access for children or persons that are not approved.
- Remove the blade and blade guard from the product after the operation.
- If there is a risk that the water will freeze, the product must be drained of all remaining water coolant.

Disposal

Symbols on the product or the packaging of the product indicate that this product cannot be handled as domestic

waste. It must be submitted to an appropriate recycling station for the recovery of electrical and electronic equipment.

By ensuring that this product is taken care of correctly, you can help to counteract the potential negative impact on the environment and people that can otherwise result through the incorrect waste management of this product. For more detailed information about recycling this product, contact your municipality, your domestic waste service or the shop from where you purchased the product.



Technical data

Technical data

Weight	
Saw carriage, kg/lbs	3.7/8.2
Saw unit, kg/lbs	28/59.5
Blade guard 800 mm, kg/lbs	13/28.7
Blade guard 1000 mm, kg/lbs	16/35.3
Track 1200 mm (47 in.) kg/lbs	9.5/20.9
Track 2000 mm (79 in.) kg/lbs	19/41.9

Remote control, with battery, without carry strap, kg/lb	2.4/1.1
Blade size	
Blade size - max, mm/in.	1600/63
Blade size - min, mm/in.	600/23.6
Starting blade - max, mm/in.	1000/39.4
Saw depth - max, mm/in.	730/28.5
Motor for saw blade drive	PM High cycle
Spindle output - max, kW	19
Power train	Gear drive
Output speed, rpm	0-1200
Feeding system/control	Electric/auto
Drive torque at saw blade - max, Nm	230
Starting torque, Nm	150
Cooling water pressure - max, bar	7
Water coolant flow min, l/min	3.5
Cooling water temp. in at 3.5 l/min - max, °C	25
Protection class	IP 65
Noise emissions¹	
Sound power level, measured dB (A)	108
Sound power level, guaranteed L _{WA} dB (A)	109
Sound levels²	
Sound pressure level at the operators ear, dB (A)	85

Recommended blade speed



WARNING: A higher speed than the recommended speed can result in injury and damage to the product.

When you cut with a blade dimension of 800 mm/32 in. or more, the recommendation is to use gear 1. Speak to your local Husqvarna dealer for more information about recommendations on blade types on your market.

Gear	Speed, rpm	600 mm/24 in.	800 mm/32 in.	1000 mm/40 in.	1200 mm/48 in.	1600 mm/63 in.
1	550					H
1	600				H	M/S
1	700			H	M/S	
1	800		H	M/S		
1	900	H	M/S			

¹ Noise emissions in the environment measured as sound power (L_{WA}) in conformity with EN 15027/A1.

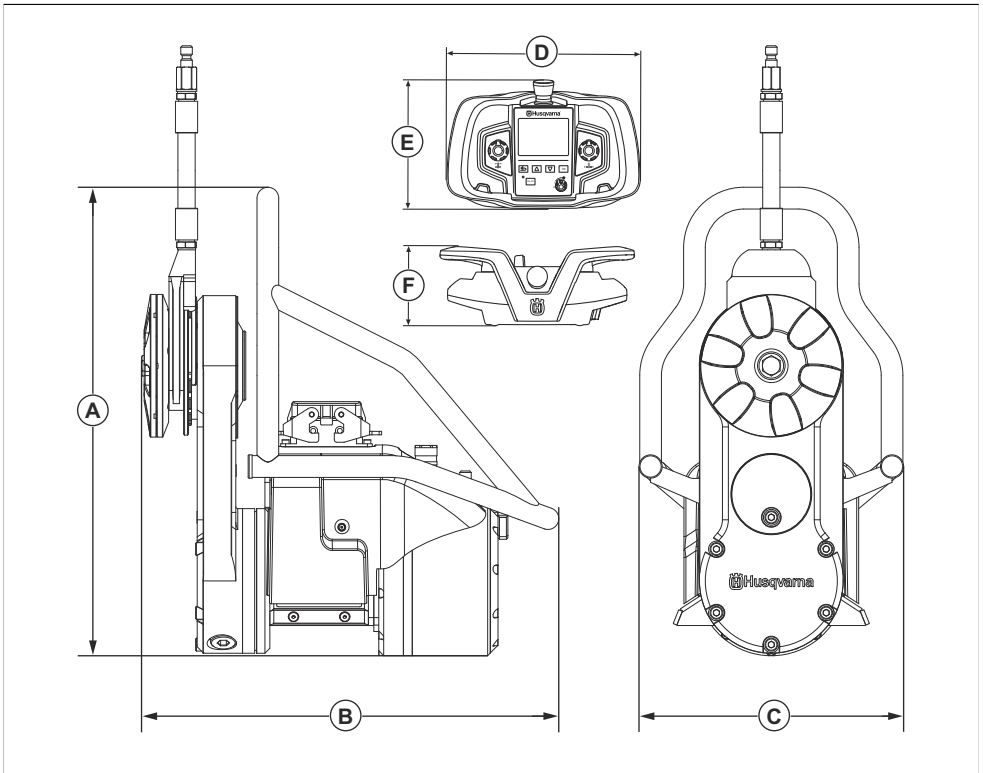
² Noise pressure level according to EN 15027/A1. Reported data for noise pressure level has a typical statistical dispersion (standard deviation) of 1.0 dB (A).

Gear	Speed, rpm	600 mm/24 in.	800 mm/32 in.	1000 mm/40 in.	1200 mm/48 in.	1600 mm/63 in.
2	1000	H	M/S			
2	1100	M/S				
2	1200	M/S				

H = Hard or heavy reinforced concrete

M/S = Medium or soft concrete

Product dimensions



A	Height, mm/in.	473/17.3	D	Length, mm/in.	285/11.2
B	Length, mm/in.	440/17.3	E	Height, mm/in.	191/7.5
C	Width, mm/in.	269/10.6	F	Width, mm/in.	124/4.9

EC Declaration of Conformity

EC Declaration of Conformity

We, Husqvarna AB, SE-561 82 Huskvarna, SWEDEN,
tel: +46 36 146500 declare on our sole responsibility that
the product:

Description	Wall Saw
Brand	Husqvarna
Type/Model	WS 482 HF
Identification	Serial numbers dating from 2021 and onwards

complies fully with the following EU directives and
regulations:

Directive/Regulation	Description
2006/42/EC	"relating to machinery"
2014/30/EU	"relating to electromagnetic compatibility"
2014/35/EU	"relating to electrical equipment"
2011/65/EU	"relating to restriction of hazardous substances"

and that the following harmonized standards and/or
technical specifications are applied;

- EN ISO 12100:2010
- EN 55014-1:2006+A1:2009+A2:2011
- EN 55014-2:2015
- EN 61000-3-11:2000
- EN 15027/A1:2009
- EN IEC 63000:2018

Partille, 2021-06-10



Erik Silfverberg
R&D Director, Concrete Sawing & Drilling Equipment
Husqvarna AB, Construction Division
Responsible for technical documentation

UK Declaration of Conformity

We, Husqvarna AB, SE-561 82 Huskvarna, SWEDEN,
Tel: +46 36 146500 declare on our sole responsibility
that the product:

Description	Wall Saw
Brand	Husqvarna
Type/Model	WS 482 HF
Identification	Serial numbers dating from 2021 and onwards

complies fully with the following UK directives and
regulations:

Regulation	Description
S.I. 2008/1597	The Supply of Machinery (Safety) Regulations 2008
S.I. 2016/1091	Electromagnetic Compatibility Regulations 2016
S.I. 2016/1101	The Electrical Equipment (Safety) Regulations 2016
S.I. 2012/3032	The Restriction of the Use of Certain Hazardous Substances in Electrical and Electronic Equipment Regulations 2012

and that the following harmonized standards and/or
technical specifications are applied;

EN ISO 12100:2010

EN 55014-1:2006+A1:2009+A2:2011

EN 55014-2:2015

EN 61000-3-11:2000

EN 15027/A1:2009

EN IEC 63000:2018

UK Importer:
Husqvarna UK Limited
Preston Road, Aycliffe
Business Park Newton
Aycliffe, County Durham
UK DL5 6UP

Partille, 2021-06-10



Erik Silfverberg
R&D Director, Concrete Sawing & Drilling Equipment
Husqvarna AB, Construction Division
Responsible for technical documentation

**UK
CA**



www.husqvarnacp.com

Original instructions

1142782-98



2021-06-21